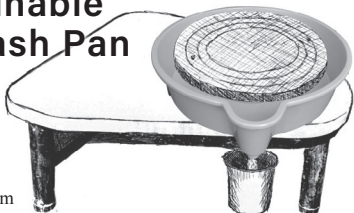


NCECA Booth 311-313

DSP01

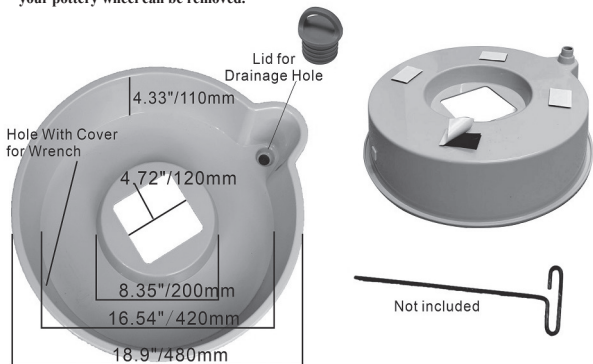


Drainable Splash Pan



Chinese Clay Art US
www.ChineseClayArt.com
1-800-689.Clay(2529)
ChineseClayArt@hotmail.com

Note: This Drainable Splash Pan should fit many different name brand pottery wheels, but before placing your order, please measure the size of your pottery wheel, and test if your pottery wheel can be removed.



Installation tool (not included)

Long Arm Hexagon Wrench 4mm or 8mm depending on what type of pottery wheels

Installation Instructions

1. Remove old splash pan and remove wheel head
2. Use Velcro strips to attach drainable splash pan, making sure the pan is centered
3. Reinstall the wheel-head and tighten the screw with the hexagon wrench

Patent No. 202420712715.9 China, International Patent Pending